

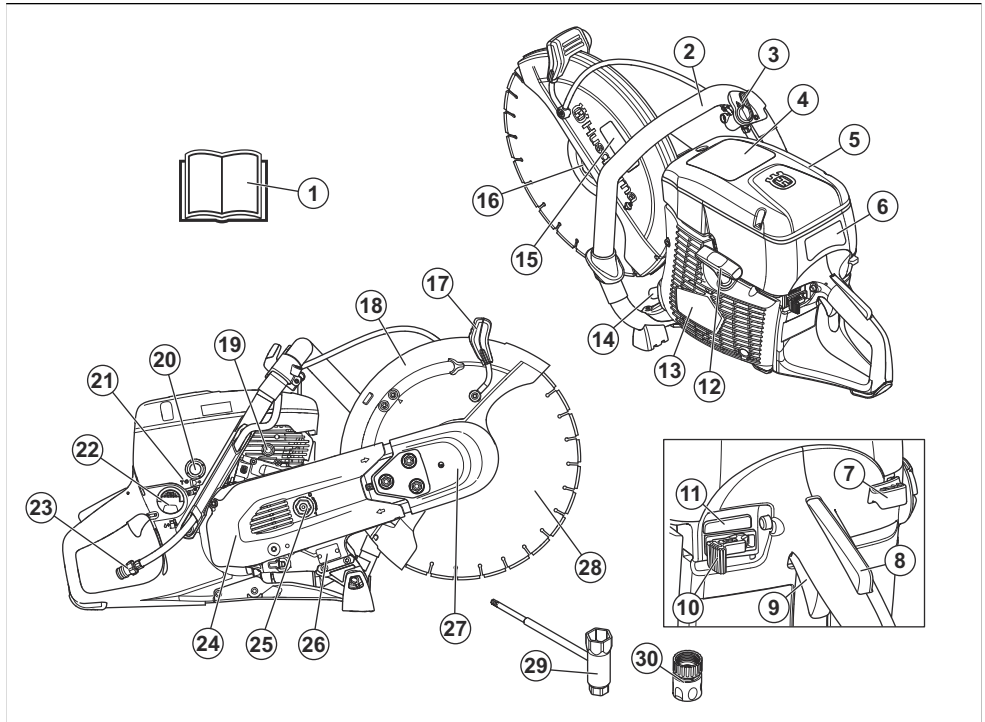


 **Husqvarna**[®]



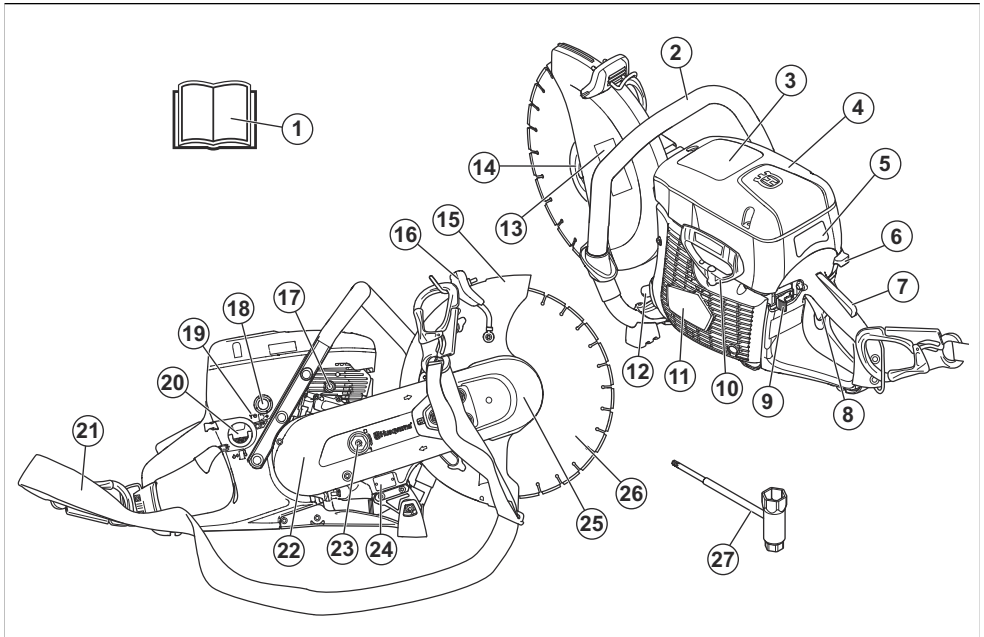
K 770, K 770 OilGuard, K 770 Rescue, K 770
SmartGuard

Product overview K 770, K 770 OilGuard



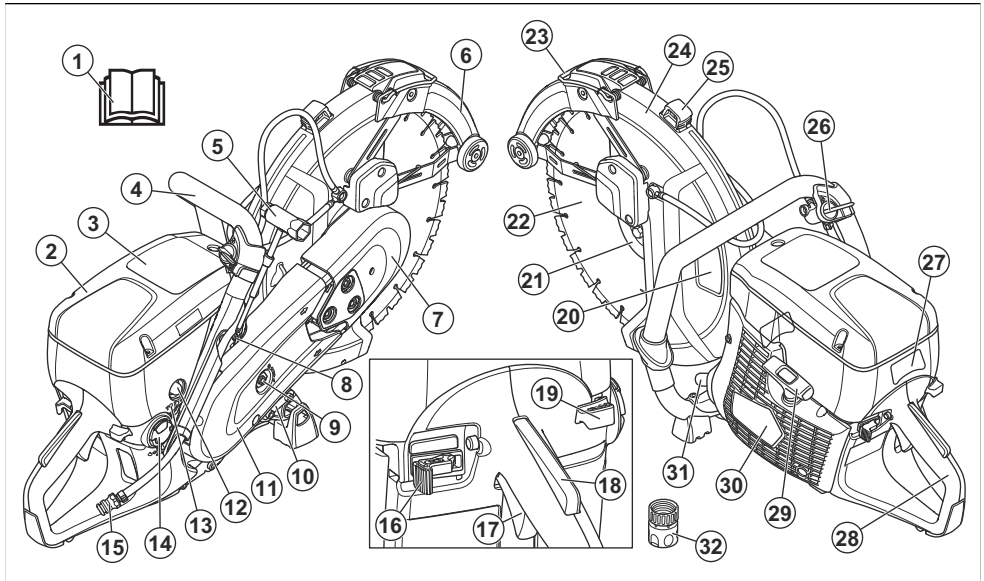
- | | |
|---|---------------------------------------|
| 1. Operator's manual | 16. Flange, spindle, arbor bushing |
| 2. Front handle | 17. Adjustment handle for blade guard |
| 3. Water valve | 18. Blade guard |
| 4. Warning decal | 19. Decompression valve |
| 5. Air filter cover | 20. Air purge bulb |
| 6. Start instruction decal | 21. T screw, idle speed adjustment |
| 7. Choke control | 22. Fuel tank cap |
| 8. Throttle trigger lockout | 23. Water connection with filter |
| 9. Throttle trigger | 24. Rear belt guard |
| 10. Stop switch | 25. Belt tensioner |
| 11. Engage/Disengage OilGuard (Only K 770 OilGuard) | 26. Type plate |
| 12. Starter rope handle | 27. Front belt guard |
| 13. Starter housing | 28. Cutting blade (not supplied) |
| 14. Muffler | 29. Combination wrench |
| 15. Cutting equipment decal | 30. Water connector, GARDENA® |

Product overview K 770 Rescue



- | | |
|------------------------------------|---------------------------------------|
| 1. Operator's manual | 15. Blade guard |
| 2. Front handle | 16. Adjustment handle for blade guard |
| 3. Warning decal | 17. Decompression valve |
| 4. Air filter cover | 18. Air purge bulb |
| 5. Start instruction decal | 19. T screw, idle speed adjustment |
| 6. Choke control | 20. Fuel tank cap |
| 7. Throttle trigger lockout | 21. Shoulder strap |
| 8. Throttle trigger | 22. Rear belt guard |
| 9. Stop switch | 23. Belt tensioner |
| 10. Starter rope handle | 24. Type plate |
| 11. Starter housing | 25. Front belt guard |
| 12. Muffler | 26. Cutting blade (not supplied) |
| 13. Cutting equipment decal | 27. Combination wrench |
| 14. Flange, spindle, arbor bushing | |

Product overview K 770 SmartGuard



1. Operator's manual
2. Air filter cover
3. Warning decal
4. Front handle
5. Combination wrench
6. SmartGuard
7. Front belt guard
8. Decompression valve
9. Belt tensioner
10. Type plate
11. Rear belt guard
12. Air purge bulb
13. T screw, idle speed adjustment
14. Fuel tank cap
15. Water connection with filter
16. Stop switch
17. Throttle trigger
18. Throttle trigger lockout
19. Choke control
20. Cutting equipment decal
21. Flange, spindle, arbor bushing
22. Cutting blade
23. SmartGuard handle
24. Blade guard
25. Adjustment handle for blade guard
26. Water valve
27. Start instruction decal
28. Rear handle

29. Starter rope handle
30. Starter housing
31. Muffler
32. Water connector GARDENA®

Symbols on the product



WARNING: This product can be dangerous and cause serious injury or death to the operator or others. Be careful and use the product correctly.



Read the operator's manual carefully and make sure that you understand the instructions before you use this product.



Use approved protective helmet, hearing protection, eye protection and respiratory protection. Refer to *Personal protective equipment* on page 9.



Dust forms when cutting. The dust can cause injuries if inhaled. Use an approved respiratory protection. Avoid inhaling exhaust fumes. Always provide for good ventilation.

Technical data

Technical data

	K 770, K 770 OilGuard, K 770 Rescue	K 770 SmartGuard
Cylinder displacement, cu.in./cm ³	4.5/74	4.5/74
Cylinder bore, in./mm	2/51	2/51
Travel length, in./mm	1.4/36	1.4/36
Idle speed, rpm	2700	2700
Fully opened throttle, no load, rpm	9300 (+/- 150)	9300 (+/- 150)
Power, hp/kW @rpm	5/3.7 @9000	5/3.7 @9000
Spark plug	NGK BPMR 7A	NGK BPMR 7A
Electrode gap, in./mm	0.02/0.5	0.02/0.5
Fuel tank capacity, US fl oz/liters	30/0.9	30/0.9
Recommended water pressure, PSI/bar	7-150/0.5-10	7-150/0.5-10
Weight		
Power cutter without fuel and cutting blade 12in. (300mm), lb/kg*	22/10	23.8/10.8
*Rescue shoulder strap, additional 0.9lb./0.4kg		
Power cutter without fuel and cutting blade 14in. (350mm), lb/kg	22.3/10.1	24.5/11.1
Spindle, output shaft		
Max. spindle speed with cutting blade 12in. (300mm), rpm	4700	4700
Max. spindle speed with cutting blade 14in. (350mm), rpm	4700	4700
Max. peripheral speed, ft/min or m/s (12in./300mm)	16000 or 80	16000 or 80
Max. peripheral speed, ft/min or m/s (14in./350mm)	18000 or 90	18000 or 90

Recommended cutting blade dimensions

Cutting blade diameter, in./mm	Max. cutting depth, in./mm	Blade speed rating, rpm	Blade speed rating, ft/min or m/s	Blade center hole diameter, in./mm	Max. blade thickness, in./mm
12/300	4/100	5100	16000 or 80	1/25.4 or 0.79/20	0.2/5
14/350	5/125	5500	19600 or 100	1/25.4 or 0.79/20	0.2/5



www.husqvarnacp.com

Original instructions
Instrucciones originales
Instructions d'origine

1142190-49



2021-05-19 Rev 2